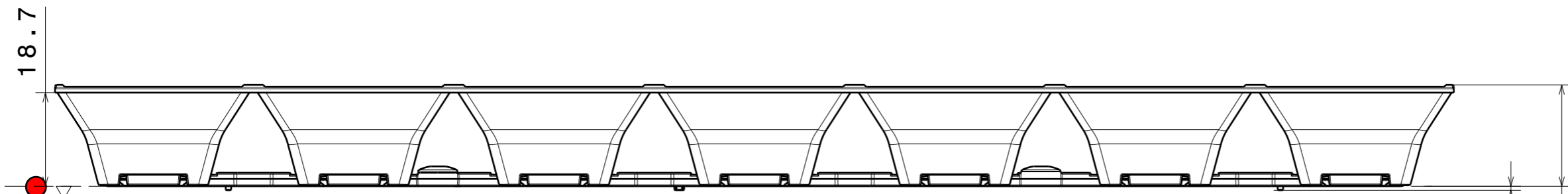
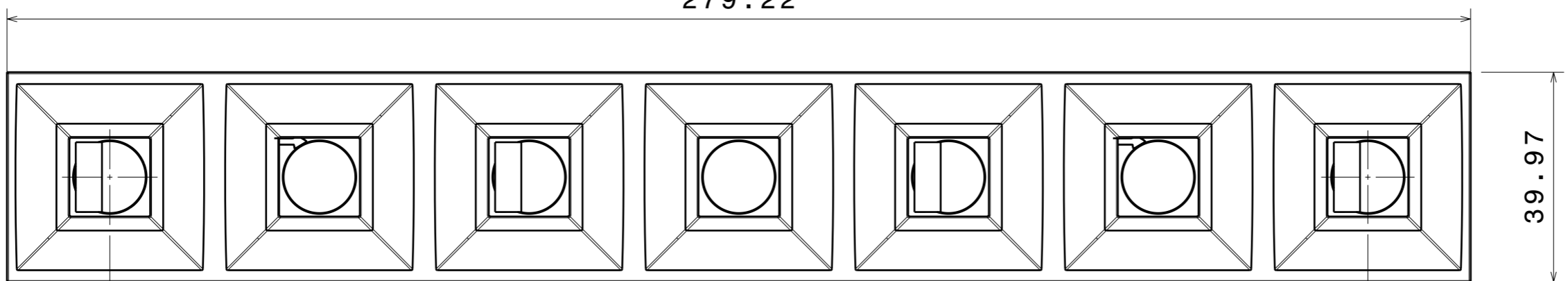


38.28



18.7

0.8  
20.25



279.22

39.97

6x40=240

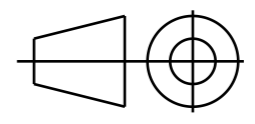
**MECHANICAL DRAWING**

PRODUCT **DAISY-7X1-FT-D**

**LEDiL**®

Plastic moulding general tolerances according to DIN 16901-130 and applies if not otherwise shown in the drawing.  
Silicone moulding general tolerances according to ISO 3302-1 Class M3 and applies if not otherwise shown in the drawing.

FIRST ANGLE PROJECTION:



This drawing is the property of LEDiL Oy. It may not be copied or otherwise distributed without prior written permission from LEDiL Oy.

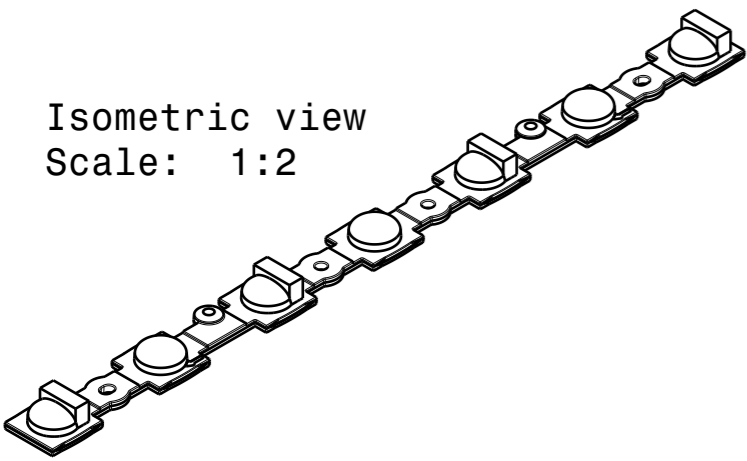
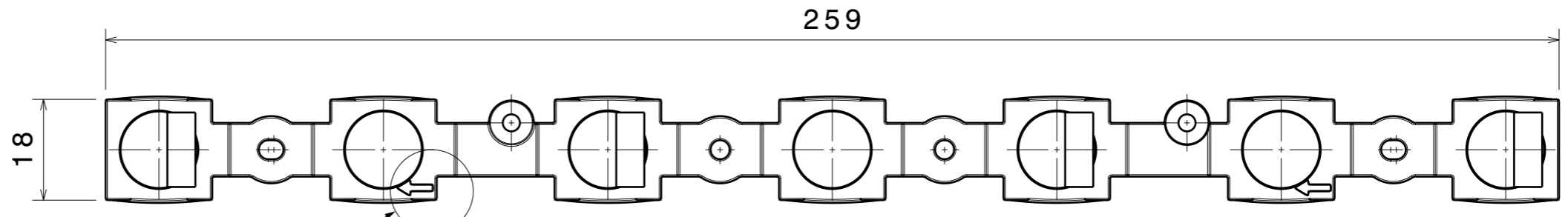
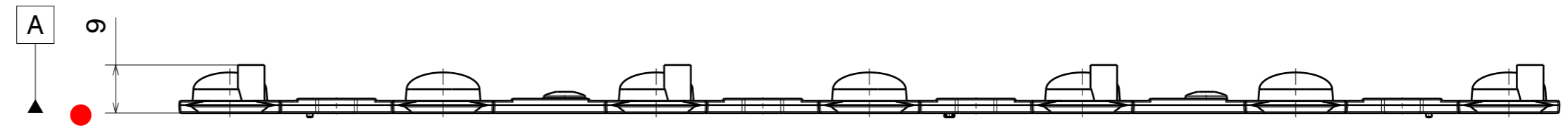
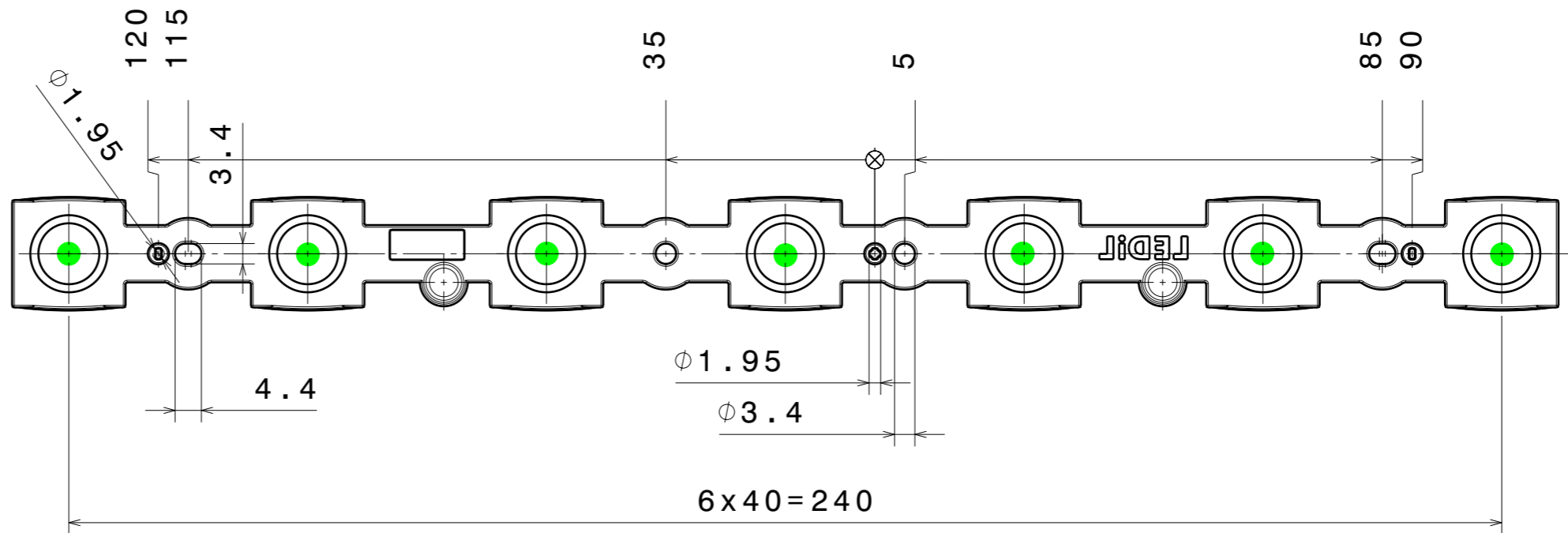
SCALE 1:1

WEIGHT -

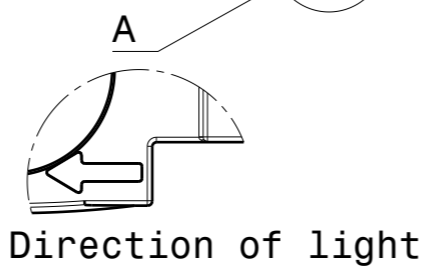
A3 SHEET 1/3

**Notes**

	PCB or heatsink level.
	LED location
	Ensure LED fitting from a product specific 3D model available from <a href="http://www.ledil.com">www.ledil.com</a>
	For more details about installation please see LEDiL Installation Guide on <a href="http://www.ledil.com">www.ledil.com</a>



Isometric view  
Scale: 1:2



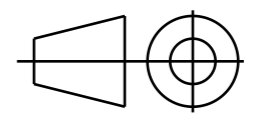
PART	TYPE	MATERIAL	COLOR / COATING
C18244_DAISSY-7X1-FT-D	LENS	PMMA	DF21 Diffusive

**MECHANICAL DRAWING**

PRODUCT  
**DAISSY-7X1-FT-D**

Plastic moulding general tolerances according to DIN 16901-130 and applies if not otherwise shown in the drawing.  
Silicone moulding general tolerances according to ISO 3302-1 Class M3 and applies if not otherwise shown in the drawing.

FIRST ANGLE PROJECTION:



SCALE 1:1

WEIGHT 14 g

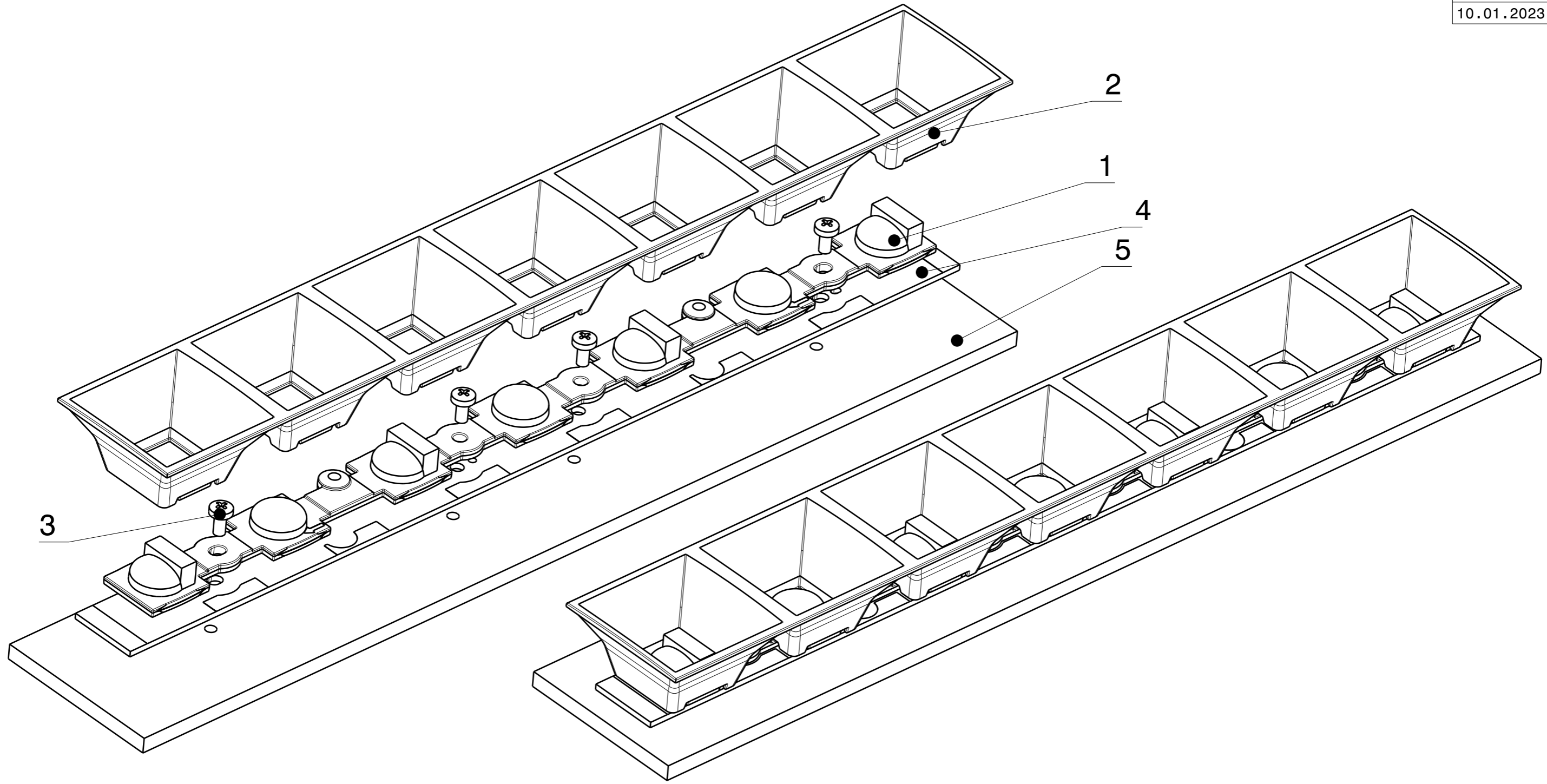
**LEDiL®**

This drawing is the property of LEDiL Oy. It may not be copied or otherwise distributed without prior written permission from LEDiL Oy.

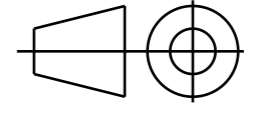
A3 SHEET 2/3

**Notes**

	PCB or heatsink level.
	LED location
	Ensure LED fitting from a product specific 3D model available from <a href="http://www.ledil.com">www.ledil.com</a>
	For more details about installation please see LEDiL Installation Guide on <a href="http://www.ledil.com">www.ledil.com</a>



INDEX	PART	TYPE	MATERIAL	COLOR / COATING
1	C18244_DAISY-7X1-FT-D	LENS	PMMA	DF21 Diffusive
2	DAISY-7x1-SHD	SHD		
	C16872_DAISY-7X1-SHD	SHD	PC/ABS	BLACK, GLOSS
	C17051_DAISY-7X1-SHD-MATT	SHD	PC/ABS	BLACK, MATT
	C16876_DAISY-7X1-SDH-WHT	SHD	PC	WHITE, GLOSS
	C17225_DAISY-7X1-SHD-WHT-MATT	SHD	PC	WHITE, MATT
	C18167_DAISY-7X1-SHD-MET	SHD	PC	METAL, GLOSS
	C18409_DAISY-7X1-SHD-MET-MATT	SHD	PC	METAL, MATT
3	M3 SCREW	-		-
4	PCB	-		-
5	PROFILE	-		-

<b>MECHANICAL DRAWING</b>		<b>LEDiL</b> <sup>®</sup>
PRODUCT <b>DAISY-7X1-FT-D</b>		
Plastic moulding general tolerances according to DIN 16901-130 and applies if not otherwise shown in the drawing. Silicone moulding general tolerances according to ISO 3302-1 Class M3 and applies if not otherwise shown in the drawing.	FIRST ANGLE PROJECTION: 	This drawing is the property of LEDiL Oy. It may not be copied or otherwise distributed without prior written permission from LEDiL Oy.
SCALE 1:1	WEIGHT -	A3 SHEET 3/3